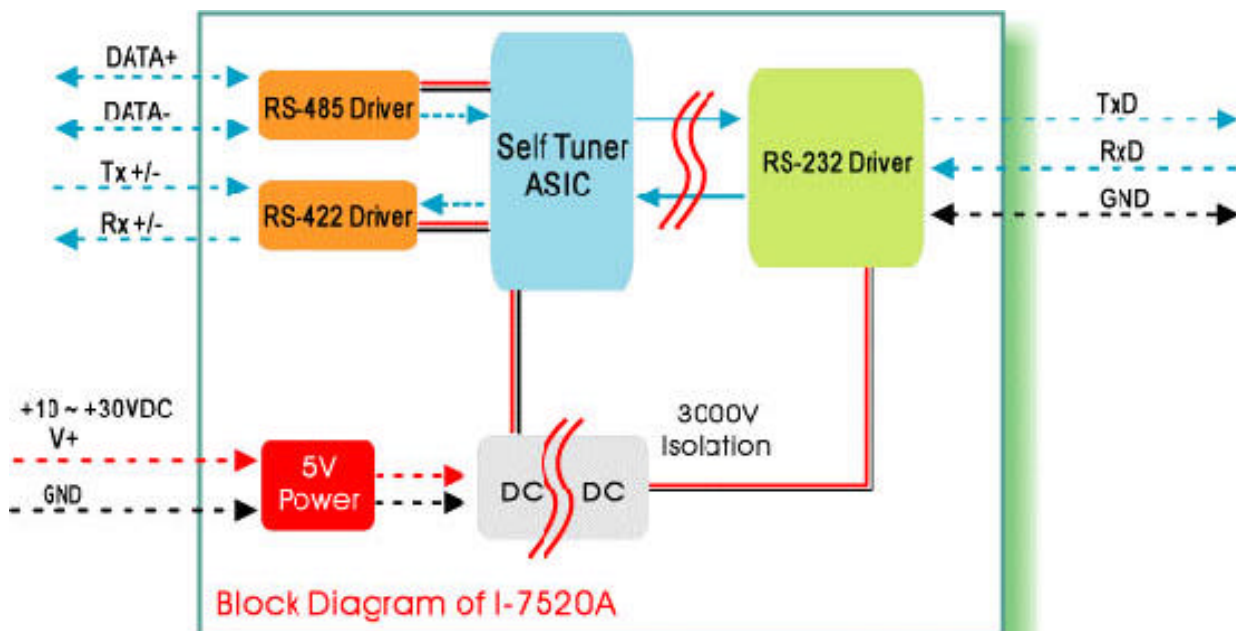




## i-7520A

RS-232 to RS-422/RS-485 converter

Input : RS-232 protocol
Output : RS-485/RS-422 protocol
Speed : auto switching baud rate, 300~115200 bps
"Self Tuner" inside
256 modules max. in one RS-485 network without repeater
2048 modules max. in one RS-485 network with repeater
Isolation voltage: 3000Vdc at RS-232 side
Repeater request: 4,000 feet or over 256 modules
Input power : 10Vdc ~ 30Vdc
Power consumption: 2.2W max.



## Industrial Weighing Systems

9 Richmond St. Picton, ON Canada K0K 2T0

Ph: 613-786-0016 Cell/Local: 613-921-0397 Fax: 613-476-5293

E-mail [info@iwsystems.ca](mailto:info@iwsystems.ca) Website: [www.iwsystems.ca](http://www.iwsystems.ca)